



## S075 - AIR COOLED

**SINGLE  
PHASE**

- Single phase rectifier
- 750W or 1500W per unit
- Desktop and Wall versions
- Manual or automatic controlled
- Ah counter, ramp software and more
- Ease of service
- Expandable for more power
- Reverse polarity
- Pulse plating available

### S075D - DESKTOP VERSION



BACK VIEW



### S075W - WALL VERSION

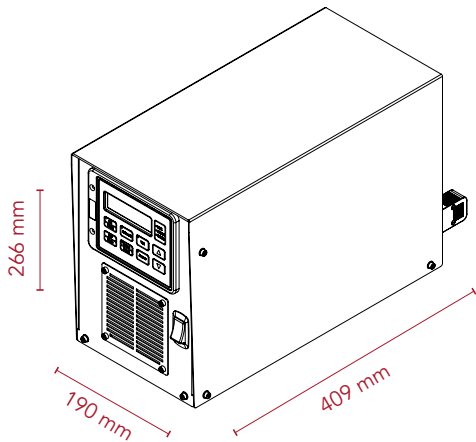


BOTTOM VIEW

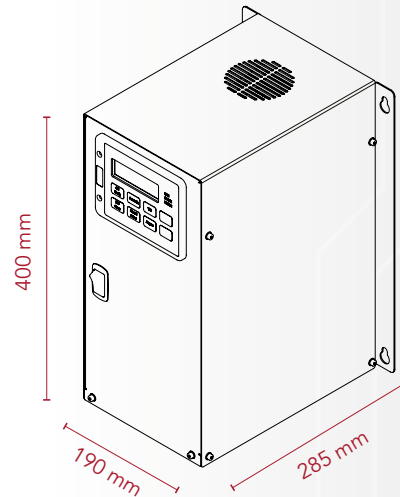




## DIMENSIONS



**S075D - DESKTOP VERSION**



**S075W - WALL VERSION**

## OPTIONS (SEE OPTIONS PAGE)

- 1** COMMUNICATION ADAPTERS
- 2** ANALOGUE INTERFACE
- 3** MULTI-TOWER INTERCONNECTION
- 4** REMOTE CONTROL

### S075 TECHNICAL SPECIFICATION - DESKTOP AND WALL

Main voltage (Single Phase)	120 - 230 VAC $\pm$ 10% / 50-60 Hz
Max. output voltage	5 - 160 VDC
Max. output current	125A DC (750W) / 250A DC (1500W)
Current ripple	<2% (<1% on request)
Operation mode	Current or voltage control
Current regulation range	2 - 100%
Voltage regulation range	5 - 100%
Accuracy	1% of full scale
Power factor	0.70 @ rated load (standard) >0.95 @ rated load (with optional PFC)
Efficiency	up to 92% @ rated load
Color	RAL 3004
Cooling	Air
Degree of protection	IP31 Air cooled
Weight	Max. 11 kg
Ambient temperature	40°C