

OPTIONS

1 COMMUNICATION ADAPTERS



Profibus-DP



Devicenet

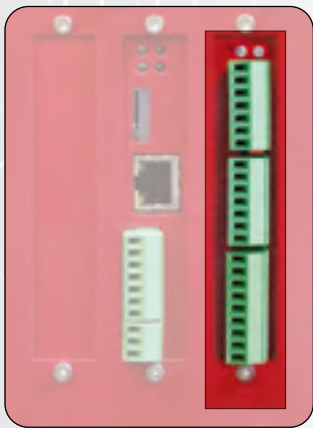


Profinet
Ethernet-IP
Modbus/TCP



Modbus-RTU
Computer port

2 ANALOGUE INTERFACE



Provides digital and analogue I/O to control the rectifier. Ready for 0-10V or 4-20mA signal.

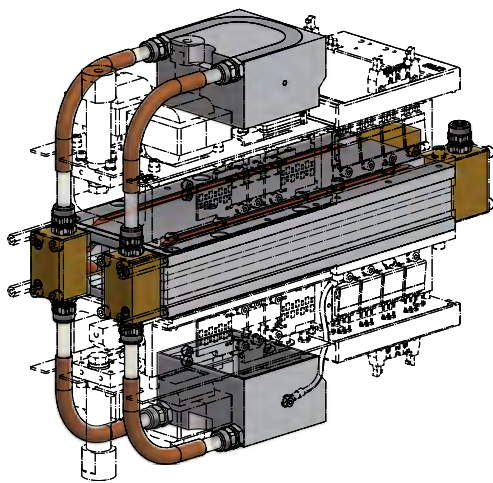
3 MULTI-TOWER INTERCONNECTION



Adapter for a multi-tower system. Towers of different model, type and size can be mixed together. Towers are inter-connected via daisy-chain, by an RJ45 cable.

4 REMOTE CONTROL

Small optimized remote controls with Ah counter, ramp function, time control and more.



5 WATER COOLING SYSTEM IN COPPER

Water cooling system without aluminum parts. Enhanced reliability and robustness of the cooling circuit

6 WATER FLOW SENSOR AND SOLENOID

The internal adjustable flow sensor assures minimum required flow rate and report low water flow rate alarm.

The external solenoid can be used to stop the circulation of cold water when rectifier is in stand-by, thus reducing potential condensation.



7 SOLENOID

The external solenoid can be used to stop the circulation of cold water when rectifier is in stand-by, thus reducing potential condensation.